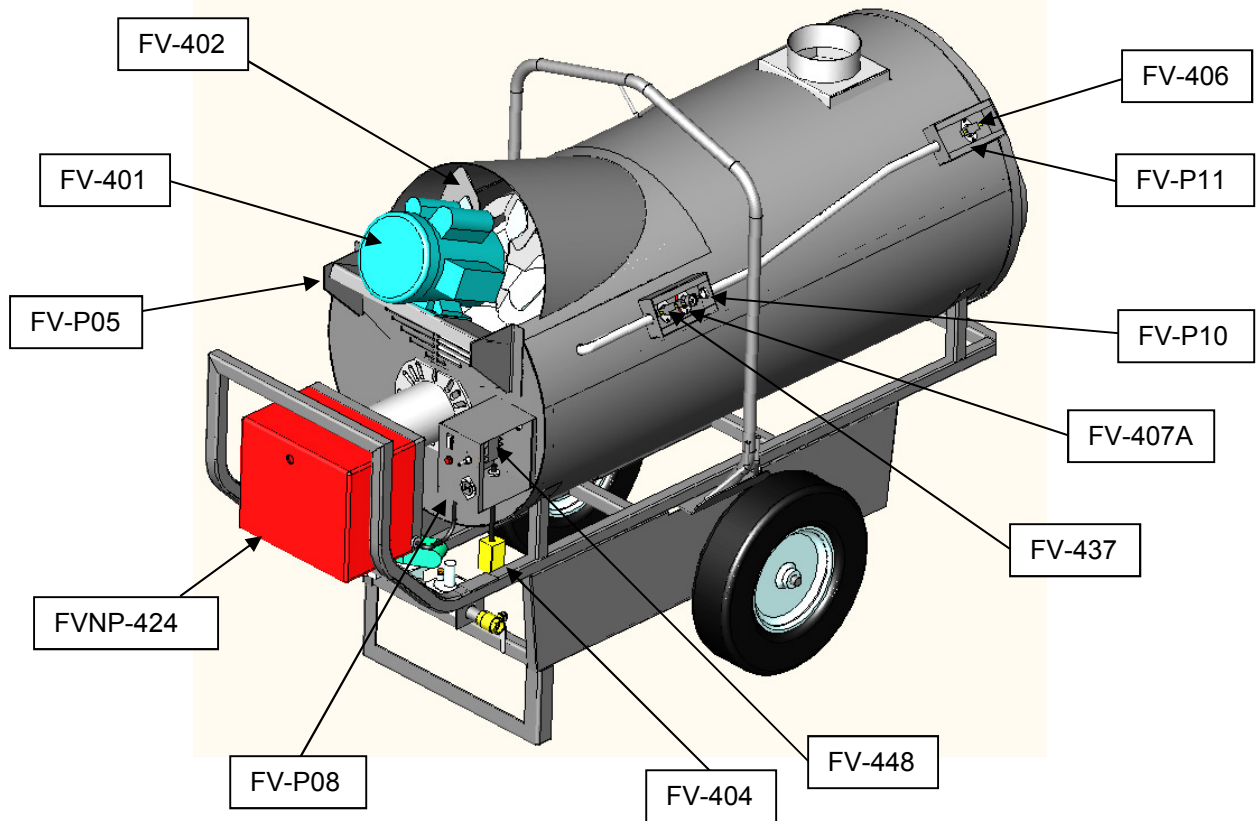
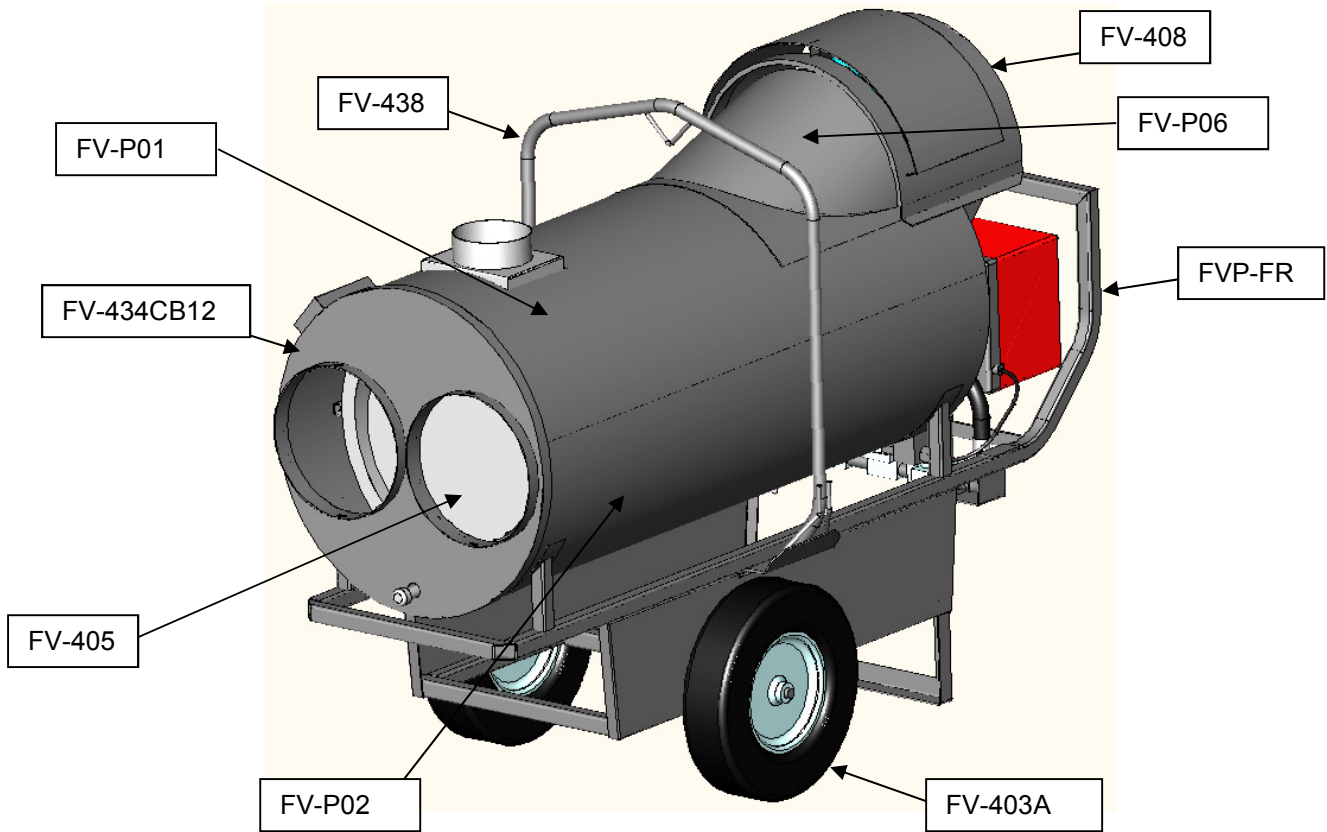
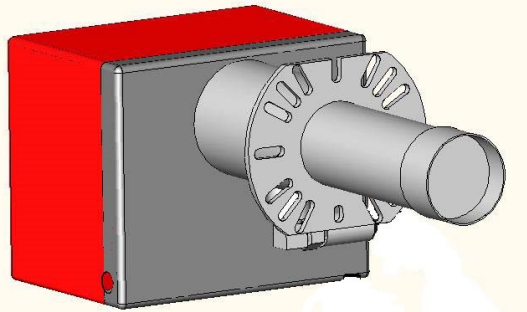


PARTS DIAGRAM – FVNP-400

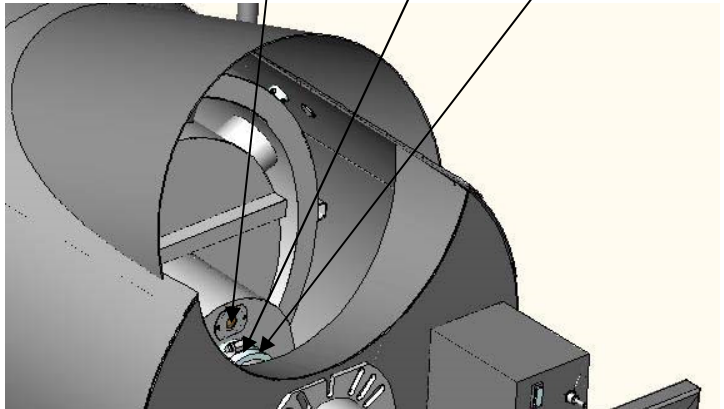




FV-446 / FV-447

HC5-64

FV-431

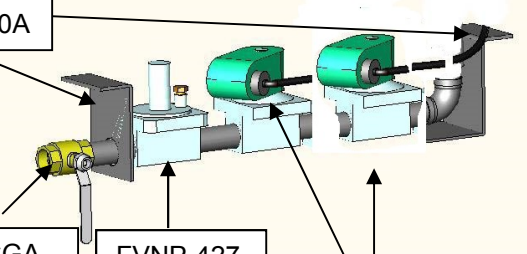


FVNP-430A

2103-E-CGA

FVNP-427

FVNP-429

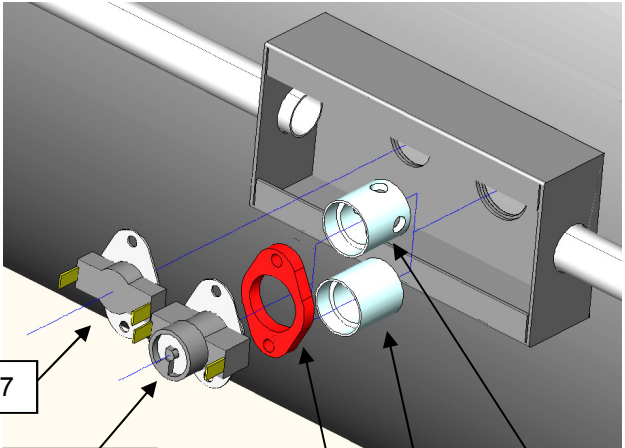
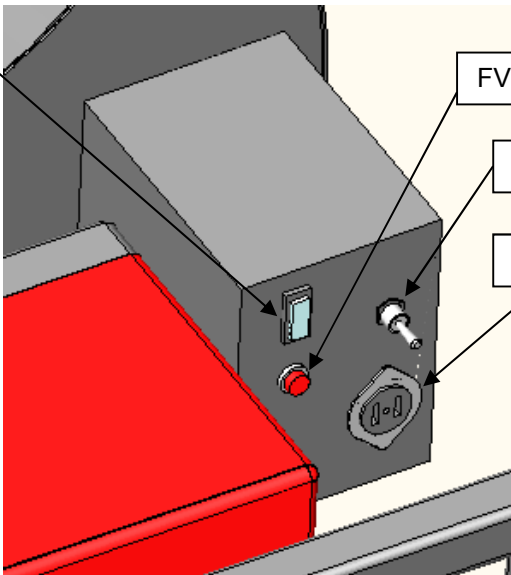


FV-450SI

FV-411

FV-409

FV-414B



FV-437

FV-407A

FV-407G

FV-433B

FV-433